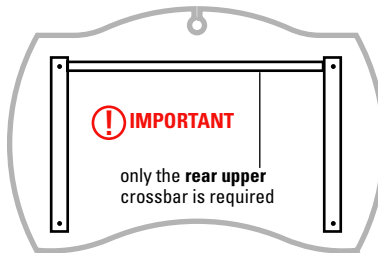


# biomorph<sup>®</sup> X02

**ASSEMBLY INSTRUCTIONS**  
 Questions? Call 888 302 DESK  
 For more info visit [www.biomorph.com](http://www.biomorph.com)

## base unit assembly

1 Assemble the frame according to the enclosed instructions, for use with the biomorph surface.  
 You will need only 2 of the 3 included crossbars for this unit. The rear upper and rear lower. See drawing #2.



## base unit & ergo keyboard surface assembly

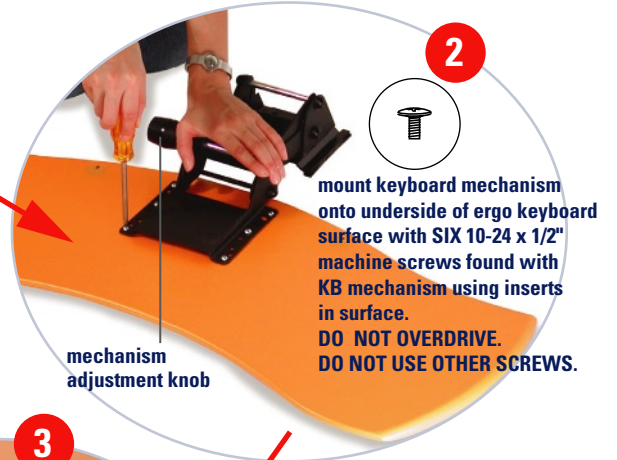


adjust keyboard height and tilt by unscrewing mechanism adjustment knob and tightening at desired level

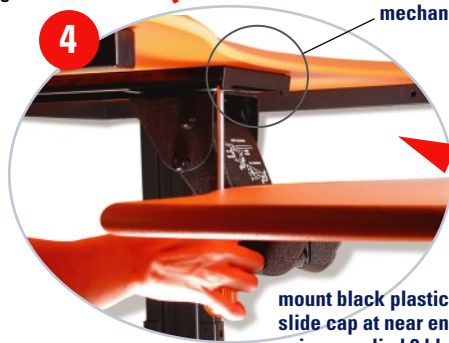
adjust desk height by unscrewing 4 allen screws, moving desk to the desired height, and screwing back into holes. You may replace the allen screws with the included knob screws for easy adjustment.



mount keyboard mechanism slide onto underside of top with SIX 10-24 x 1/2" machine screws found with KB mechanism using inserts in surface. DO NOT OVERDRIVE. DO NOT USE OTHER SCREWS.



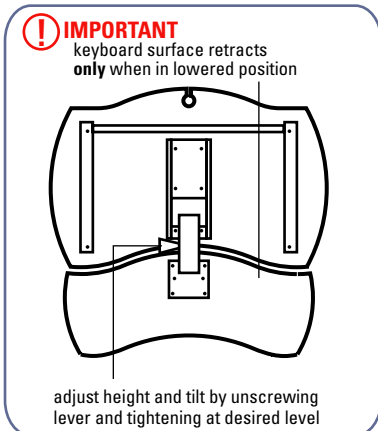
mount keyboard mechanism onto underside of ergo keyboard surface with SIX 10-24 x 1/2" machine screws found with KB mechanism using inserts in surface. DO NOT OVERDRIVE. DO NOT USE OTHER SCREWS.



mount black plastic mechanism slide cap at near end of slide using supplied 2 black screws



turn main desk assembly over and slide ergo keyboard surface assembly into the mechanism slide under the top.



upgrade your desk with these great X02 add-ons  
 order from [www.biomorph.com](http://www.biomorph.com)



X02 casters  
\$79.00 set of 4



X02 wire spine  
\$59.00



X02 CPU holder  
\$89.00



footrest  
\$79.00

biomorph is made by  
**GROUND SUPPORT EQUIPMENT (U.S.) Ltd.**  
 11 Broadway, space 905, New York, NY 10004, U.S.A.  
 Tel: 888 302 DESK. (212) 809-4323 Fax: (212) 809-4324.  
 Email: [info@biomorphdesk.com](mailto:info@biomorphdesk.com)

You are hereby made aware that the content of any material submitted to you [upon your request] by Biomorph/Ground Support Equ. (US) Ltd. in connection with its furniture designs is considered proprietary to Biomorph/Ground Support Equ. (US) Ltd. and protected under federal copyright, trademark and patent laws, and under federal and state unfair competition law. Unauthorized copying, dissemination and/or use, both unintentional and intentional may subject you to payment of damages through legal action. © 2006 Biomorph/Ground Support Equ. (US) Ltd.

